



# KC-350, KC-351



## PoE-PD-enabled 10/100Base-TX to 100Base-FX Media Converters

### Product Highlights:

- Full wire speed performance
- Comprehensive configuration options
- Best conversion latency
- Remote Loop back test
- Remote TP link monitoring
- Optional Din-Rail mounting
- Powered by PoE, AC adapter
- Options for Bi-Di communication
- Options for CWDM

PoE PSE switch  
KS-1080



PoE PSE mid-span injector  
KPOE-100



The 350 series are designed to convert 10Base-T or 100Base-T signals to/from 100Base-FX fiber signals. They are used to extend the connection distance between two Ethernet devices via fiber cable transparently with no performance degradation. The variety of fiber options supported includes not only multimode, short reach up to long reach single mode fibers, but also Bi-Di WDM and CWDM fiber network applications. Because of 802.3af compliance, the converters can draw the power via Cat.5 cable connected to a PoE PSE switch or mid-span injector. This feature makes the converter ideal for remote areas of a network without AC power outlets.

### Important media converter functions:

- Smart forwarding which can auto adapt the conversion to get the minimum latency according to the connection speed
- Link fault pass through between two different media cables
- Transparent conversion for 802.1Q tagged packets
- Far end fault function on the fiber connection
- Manual (forced) configuration for the twisted-pair port to support non-auto devices

### Advanced media converter functions:

- Support fiber remote loopback test for advanced installation
- Provide remote twisted-pair connection monitoring
- Support DIN-Rail mounting in DIN-Rail closet
- Support being powered by PoE via Cat.5 in addition to typical AC power adapter

### Specifications:

TP Port	IEEE 802.3 10Base-T, IEEE 802.3u 100Base-TX, IEEE 802.3af PD Shielded RJ-45 jack with auto MDI/MDI-X detection Auto-negotiation for speed and duplex auto detection Forced mode with speed and duplex settings Speed for 10Mbps or 100Mbps, Full-duplex or half-duplex support
FX Port	IEEE 802.3u 100Base-FX compliant Forced 100Mbps, Full duplex (factory default) Far end fault Function
Cable	Cat. 5 UTP cable, MMF -62.5/125µm, 50/125µm, SMF -9/125µm
LEDs	KC-350/351: Power status, TP Port: Link/Act, Speed, Duplex status, FX Ports: Link/Act status, Fiber signal detected KC-351: Remote TP Ports: Link, Speed, Duplex status
Configuration Switches	Accessible Settings: KC-350/351: TP mode, TP duplex, TP speed, Link fault pass through KC-351: Auto status report
Packet Size	Up to 1522 bytes for store-and-forward mode No packet size limit for smart-forward mode (100-to-100)
Power Input	PoE via Cat.5 on RJ-45 from PSE switch or PoE mid-span injector DC jack via external AC power adapter



**DIN-Rail Mounting Bracket  
KC-3DR**



**Ordering Informations:**

KC-350-X KC-351-X	Fiber Mode	Connector	Ref. Distance
-T	MM	Dual ST	2km
-C	MM	Dual SC	2km
-SL2	SM	Dual SC	20km
-SL3	SM	Dual SC	30km
-SL4	SM	Dual SC	40km
-SL6	SM	Dual SC	60km
-SL8	SM	Dual SC	80km
-SL10	SM	Dual SC	100km
-SL12	SM	Dual SC	120km
-W3520	SM	Bi-Di SC	20km
-W5320	SM	Bi-Di SC	20km
-CxxW40	SM	CWDM SC	40km

MM: Multimode Fiber  
SM: Single Mode Fiber  
Ref. Distance: Reference connection distance



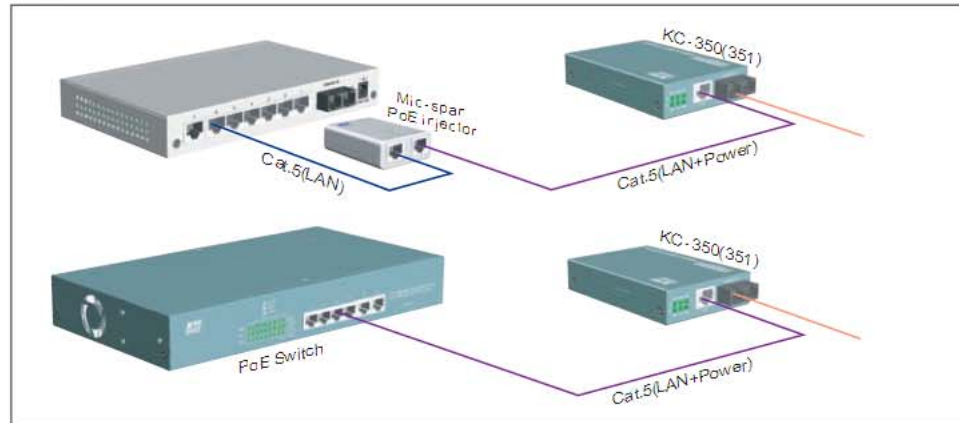
FCC Part 15 Class B  
CISPR 22 Class B

**Katron Technologies Inc.**  
15F-7, No. 79, Sec. 1, Hsin Tai Wu Rd.,  
Hsi-chih District, New Taipei City, Taiwan  
Tel: 886-2-2698-3878  
Fax: 886-2-2698-3873  
E-mail: kti@ktinet.com.tw  
URL: http://www.ktinet.com.tw

**KTI Networks Inc.**  
10415-A Westpark Drive, Houston,  
TX 77042, U.S.A.  
Tel: 1-713-266-3891  
Fax: 1-713-914-0555  
E-mail: contact@ktinet.com  
URL: http://www.ktinet.com

Trademarks: All brand names are trademarks or registered trademarks of their respective holders. This information is subject to change without prior notice.

PoE	IEEE 802.3af PD compliant Input voltage: 36 ~ 57VDC via Cat.5 Power classification: Class 1 Power reception: via TP RJ-45 Pin 1,2,3,6 or Pin 4,5,7,8
Environment	Operating Temperature: -5°C ~ 50°C Storage Temperature: -20°C ~ 80°C Relative Humidity: 5% ~ 95% non-condensing
Weight	KC-350: 210g, KC-351: 213g
Dimension	108 x 72.5 x 23 mm (WxDxH)
Operating Voltage	+7V ~ +57VDC input, consumption: 2W max.
Approval	FCC Class B, CE mark Class B, IEC60950-1 safety



**Fiber Optical Specifications:**

Model	Connector	Fiber Cable*1	Wavelength	Tx Power*2	Rx Sens.	Rx Max.
-T	ST	Duplex MMF	1310nm	-20 ~ -14dBm	-32dBm	-8dBm
-C	SC	Duplex MMF	1310nm	-20 ~ -14dBm	-31dBm	0dBm
-SL2	SC	Duplex SMF	1310nm	-15 ~ -7dBm	-32dBm	-3dBm
-SL3	SC	Duplex SMF	1310nm	-15 ~ -8dBm	-34dBm	0dBm
-SL4	SC	Duplex SMF	1310nm	-5 ~ 0dBm	-34dBm	-3dBm
-SL6	SC	Duplex SMF	1310nm	-5 ~ 0dBm	-35dBm	0dBm
-SL8	SC	Duplex SMF	1310nm	0 ~ +5dBm	-36dBm	0dBm
-SL10	SC	Duplex SMF	1550nm	0 ~ -5dBm	-35dBm	0dBm
-SL12	SC	Duplex SMF	1550nm	0 ~ +5dBm	-35dBm	0dBm
-W3520	Bi-Di SC	SMF	TX 1310nm RX 1550nm	-14 ~ -8dBm	-31dBm	0dBm
-W5320	Bi-Di SC	SMF	TX 1550nm RX 1310nm	-14 ~ -8dBm	-31dBm	0dBm
-CxxW40	CWDM SC	SMF	Tx 1xx0nm RX 1100-1650nm	-5 ~ 0dBm	-35dBm	0dBm

\*1 MMF: Multimode fiber - 62.5/125 μm, 50/125 μm  
SMF: Single Mode fiber - 9/125 μm

\*2 Data for 62.5/125 μm MMF, 9/125 μm SMF