

KTI's DIN-Rail Media Converter Solutions

What is DIN-Rail?

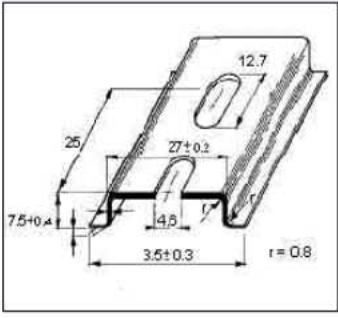
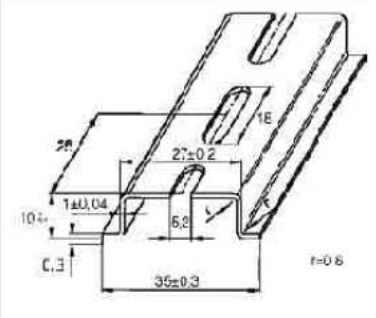
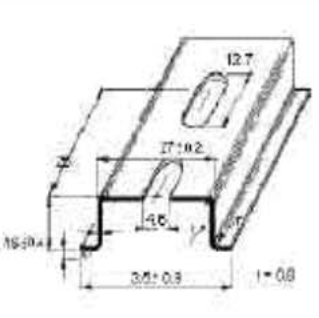
DIN-Rail is U-shaped metallic rack designed based on DIN EN 50022 specification for consistent, easy and quick installation of electronic devices. It is widely used in industry for building electrical cabinets, and is relatively more economic and robust compare to alternative mounting options. In addition to cabinets, DIN-Rail can be installed on racks, walls, and variety choices of cabinets, which permits flexible installations.

Advantages of DIN-Rail mounting

- Far from ground level for low moisture, dusts, and better ventilation.
- Better and fast access for installation and maintenance.
- Flexible mounting environment.
- Minimal setup cost.

DIN-Rail Specifications

KTI's DIN-Rail media converters are designed to fit 35mm DIN-Rails. Some 35mm DIN-Rails are available in different specifications for variety installation needs. The list below indicates commonly used 35mm DIN-Rails.

35 mm DIN-Rails		
		
35mm x 7.5 mm	35 mm x 10 mm	35 mm x 15 mm

Using Optional KC-3DR Bracket

Some media converter series support DIN-Rail mounting with optional KC-3DR bracket.

They are KC-300D, KC-300DM, KC-350, KC-351, KGC-300, KGC-310M, KGC-311 and KGC-352.

The dimensions after mounting and when un-mounting are shown below:

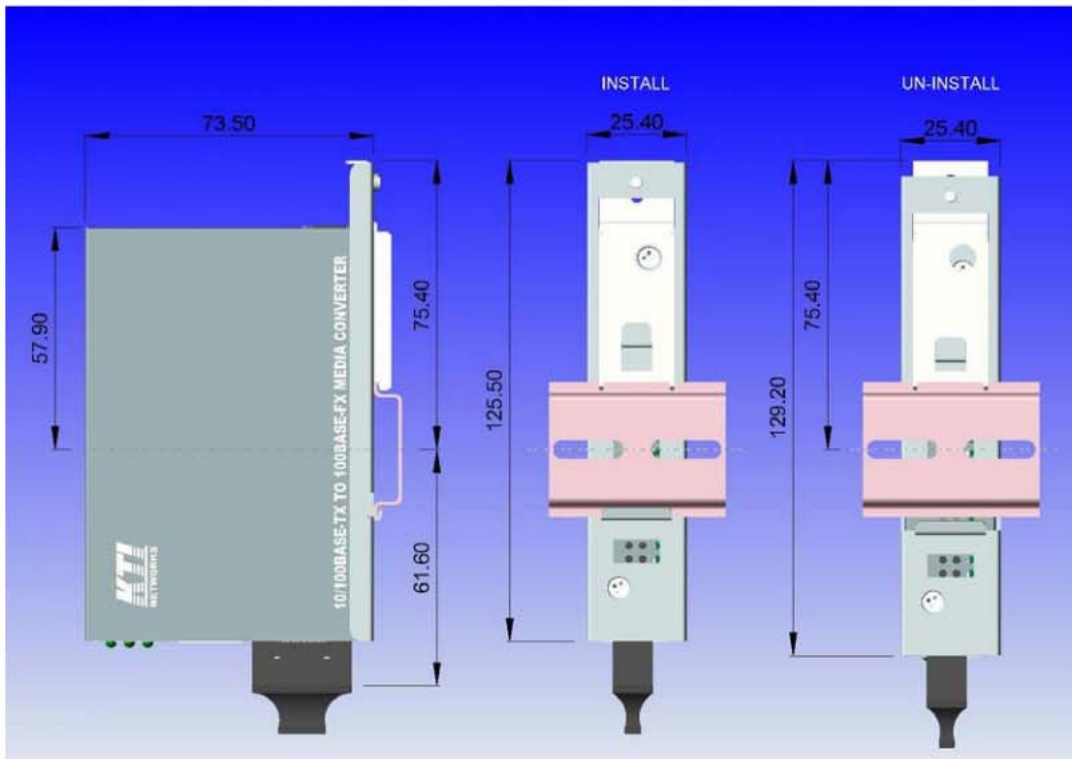


Figure A. KC-3DR Bracket

Pre-installed DIN-Rail Bracket

Each one of the following industrial-rated media converters or media converter switches is pre-installed with one DIN-Rail bracket when shipped from factory.

Type1: KCD-300, KCD-302

The figure below illustrates the dimension of KCD-300 mounted on a DIN-Rail:

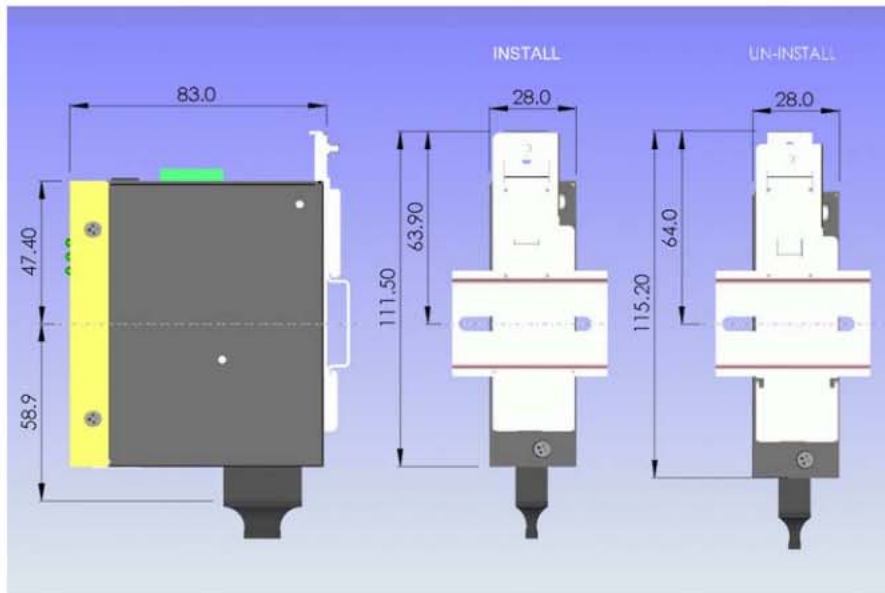


Figure B. Pre-installed Bracket for KCD-300

Type2: KCD-400, KSC-240, KSC-200, KSD-103A, KSD-103B

The figure below illustrates the dimension of KCD-400 mounted on a DIN-Rail:

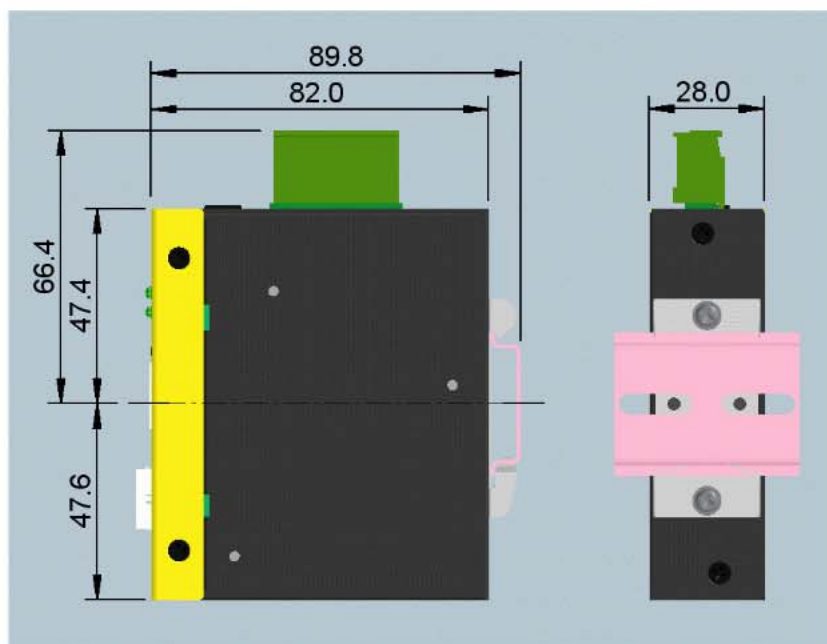
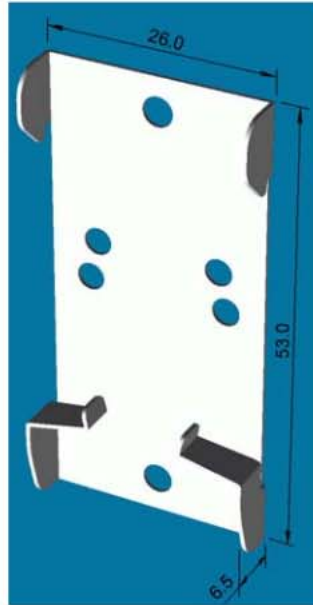


Figure C. Pre-installed Bracket for KCD-400

Using Optional KC-4DR DIN-Rail Bracket

The POF media converters KCD-303P-A and KCD-303P-B use optional KC-4DR bracket for DIN-Rail mounting.



KC-4DR

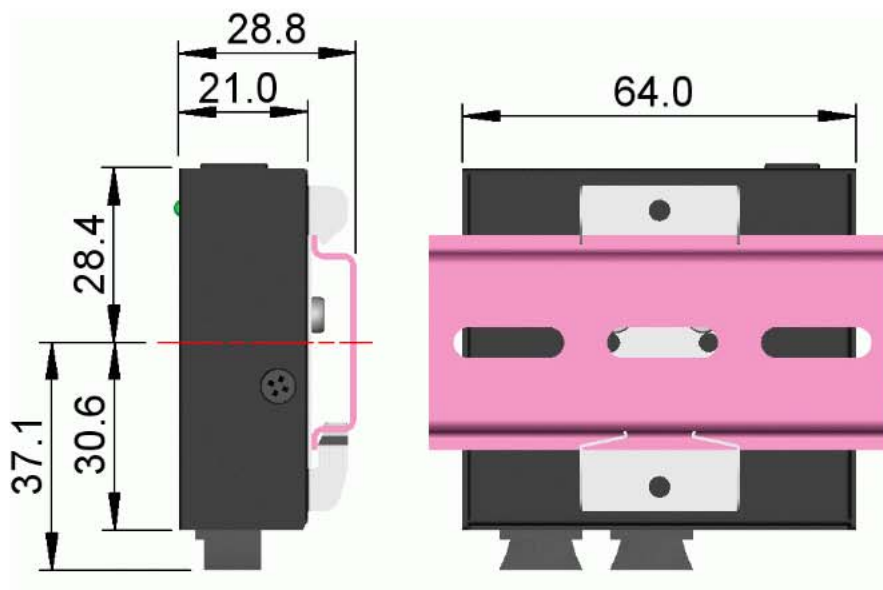


Figure D. KC-4DR Bracket on KCD-303P

List of KTI DIN-Rail Media Converters

Model	Description	Optional Brackets	Dimension
KC-300D	10/100 Base-TX to 100Base-FX Media Converter	KC-3DR	Fig. A
KC-300DM	10/100 Base-TX to 100Base-FX Media Converter	KC-3DR	Fig. A
KGC-300	1000Base-T to 1000Base-X Gigabit Media Converters	KC-3DR	Fig. A
KGC-310M	10/100/1000Base-T to 1000Base-X Gigabit Media Converter	KC-3DR	Fig. A
KGC-311	Industrial Multimode to Single Mode Optical Fiber Media Converters	KC-3DR	Fig. A
KC-350	PoE 10/100BASE-TX to 100BASE-FX Media Converters	KC-3DR	Fig. A
KC-351	PoE 10/100BASE-TX to 100BASE-FX Media Converters	KC-3DR	Fig. A
KGC-352	PoE Gigabit Ethernet Media Converters 1000BASE-T to 1000BASE-SX/LX	KC-3DR	Fig. A
KCD-300	Industrial 10/100 Base-TX to 100Base-Fx Media Converter	Pre-installed	Fig. B
KCD-302	Industrial Tri-segment Media Converter	Pre-installed	Fig. B
KCD-400	Industrial 1000Base-T to 1000Base-X Gigabit Media Converters	Pre-installed	Fig. C
KSD-103-A KSD-103-B	Industrial 3-Port Fast Ethernet Media Converter Switches	Pre-installed	Fig. C
KSC-200	Industrial Optically Isolated Serial RS-232 to Fiber Converter	Pre-installed	Fig. C
KSC-240	Industrial Optically Isolated RS-232 to RS-485/422 Converter	Pre-installed	Fig. C
KCD-303P-A KCD-303P-B	Industrial 3-Port Fast Ethernet POF Media Converter Switches	KC-4DR	Fig. D